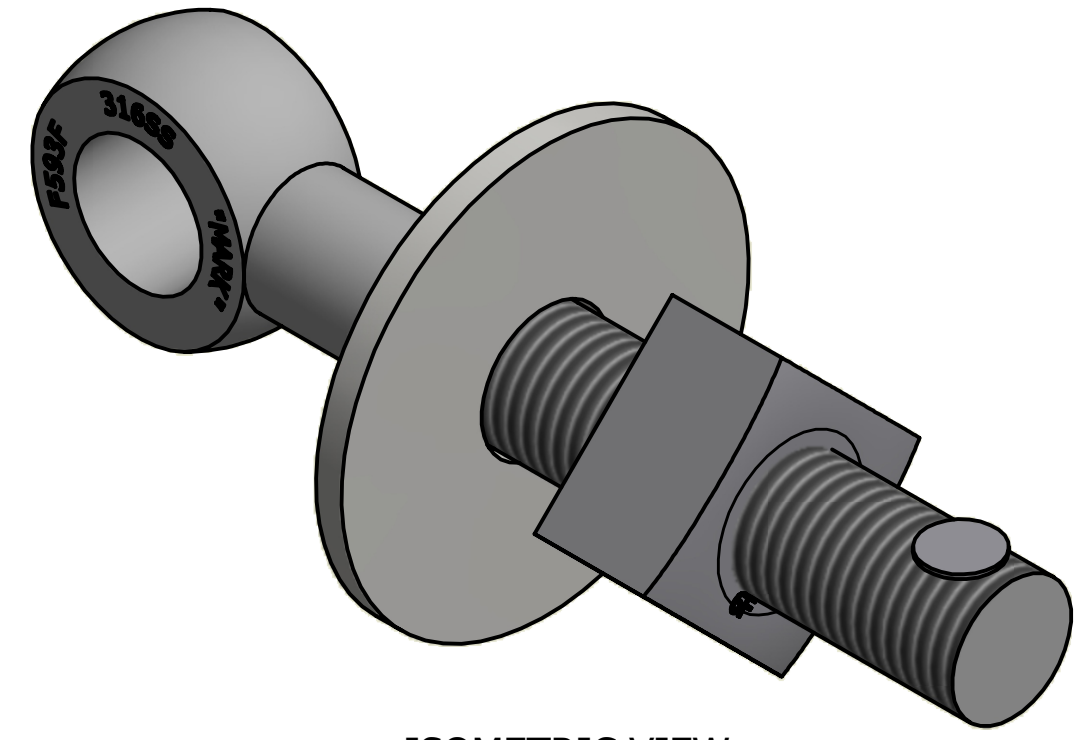
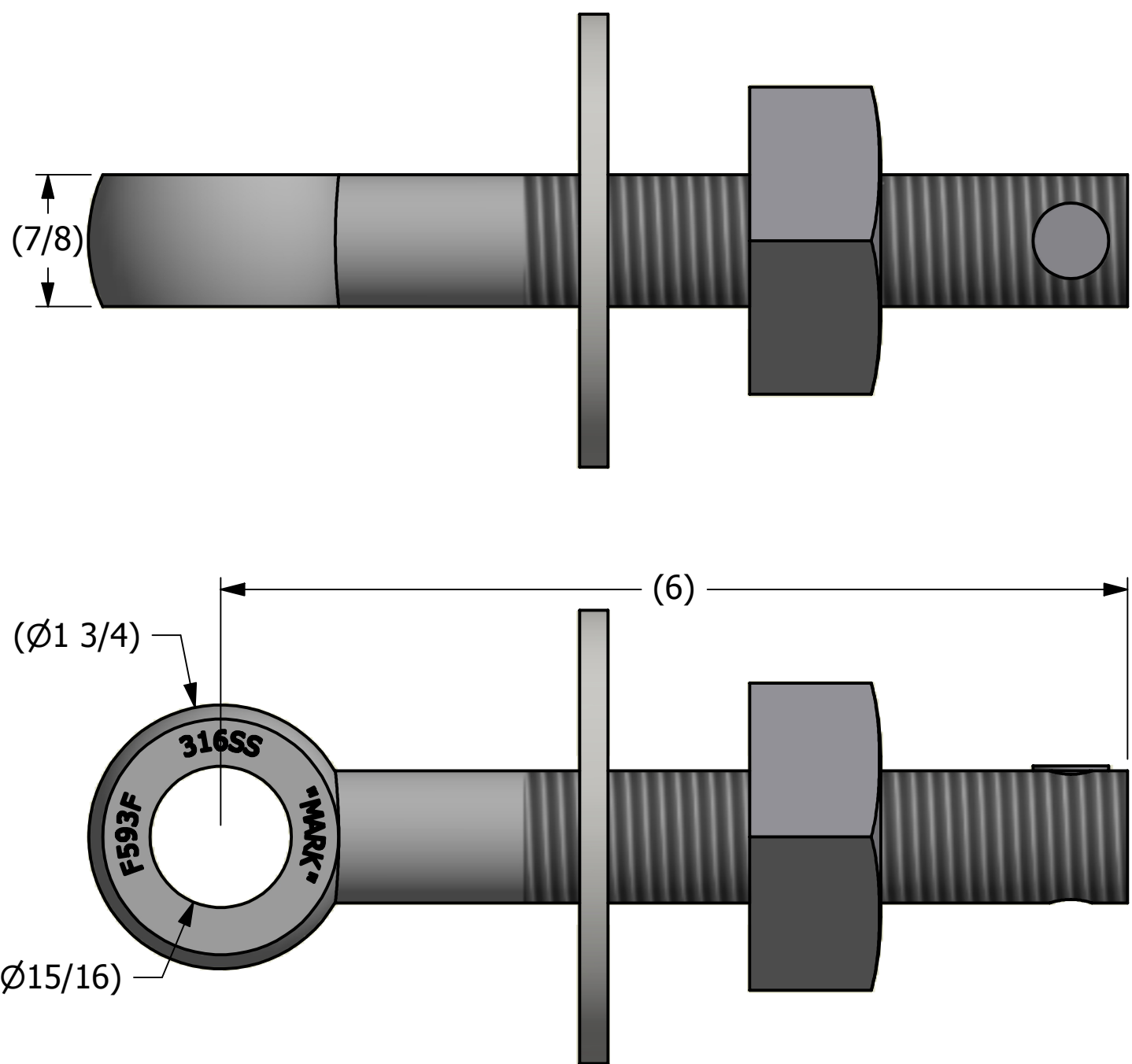



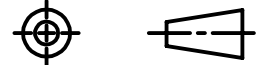
SALES DRAWING

SALES DRAWING



ISOMETRIC VIEW

A	CHL	11-9-06	NEW PART ADDED TO SYSTEM	
REV	BY	DATE	DESCRIPTION	
 <b>SALCO PRODUCTS, INC.</b>				
PART NAME: <b>EYEBOLT ASSEMBLY 7/8"X6"</b>				
MATERIAL: <b>SS</b>				
PROJECT #: <b>WAG0299</b>		SHEET #: <b>1 OF 1</b>		SCALE: <b>1:1</b>
DRAWING #: <b>B22270</b>		PART #: <b>EB786A2S6</b>		

UNLESS OTHERWISE SPECIFIED DIMENSIONAL TOLERANCES		DRAWN BY:	CHL
FRACTIONAL:	±1/16	CHECKED BY:	ACC
X.XX:	±.03	PROTOTYPE BY:	CHL
X.XXX:	±.015	PROTOTYPE DATE:	8/11/2006
ANGULAR:	±1°	APPROVED FOR PRODUCTION BY:	ACC
<small>THIS PRINT, PROPERTY OF SALCO PRODUCTS INC., CONTAINS PROPRIETARY INFORMATION AND MUST NOT BE COPIED, REPRODUCED, OR USED DETRIMENTALLY TO OUR INTEREST.</small>		PRODUCTION DATE:	11/9/2006
			

B

B

A

A

A

A

4

3

2

1

4

3

2

1